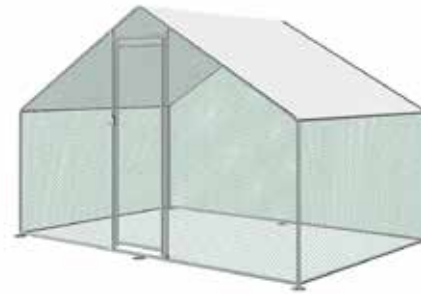
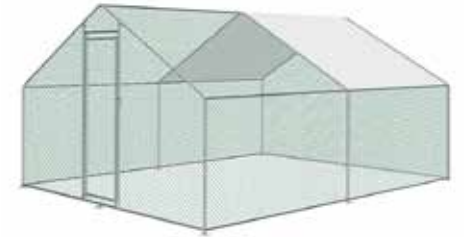


Walk-in metal Chicken Run



3m x 2m x 2m



3m x 4m x 2m



3m x 6m x 2m

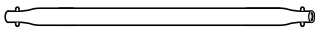
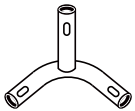
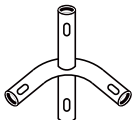
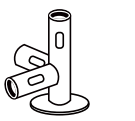
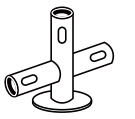
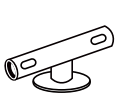
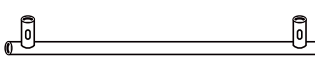



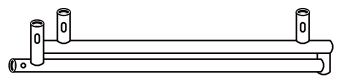



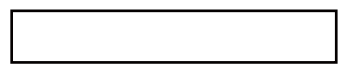

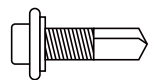



3m x 8m x 2m



Please read this manual carefully before assembly

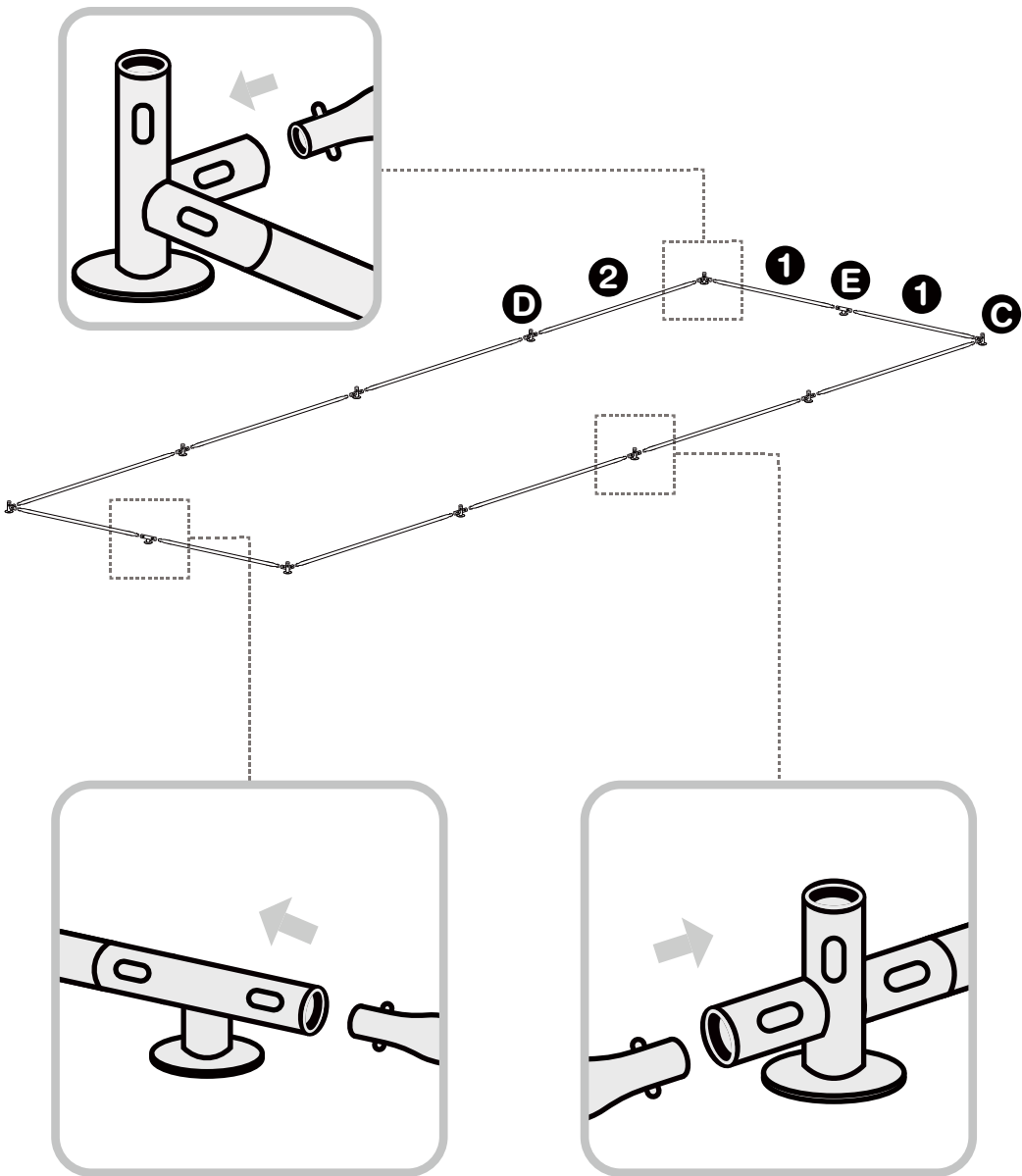
PARTIE LIST

Part No.	Size(mm)	Picture	Qty			
			RA322	RA342	RA362	RA382
①	1410		4	4	4	4
②	1870		5	10	15	20
③	970		4	6	8	10
④	1480		4	6	8	10
⑤	440		2	2	2	2
⑥	530		1	1	1	1
A			6	6	6	6
B			0	3	6	9
C			4	4	4	4
D			0	2	4	6
E			2	2	2	2
DI			1	1	1	1

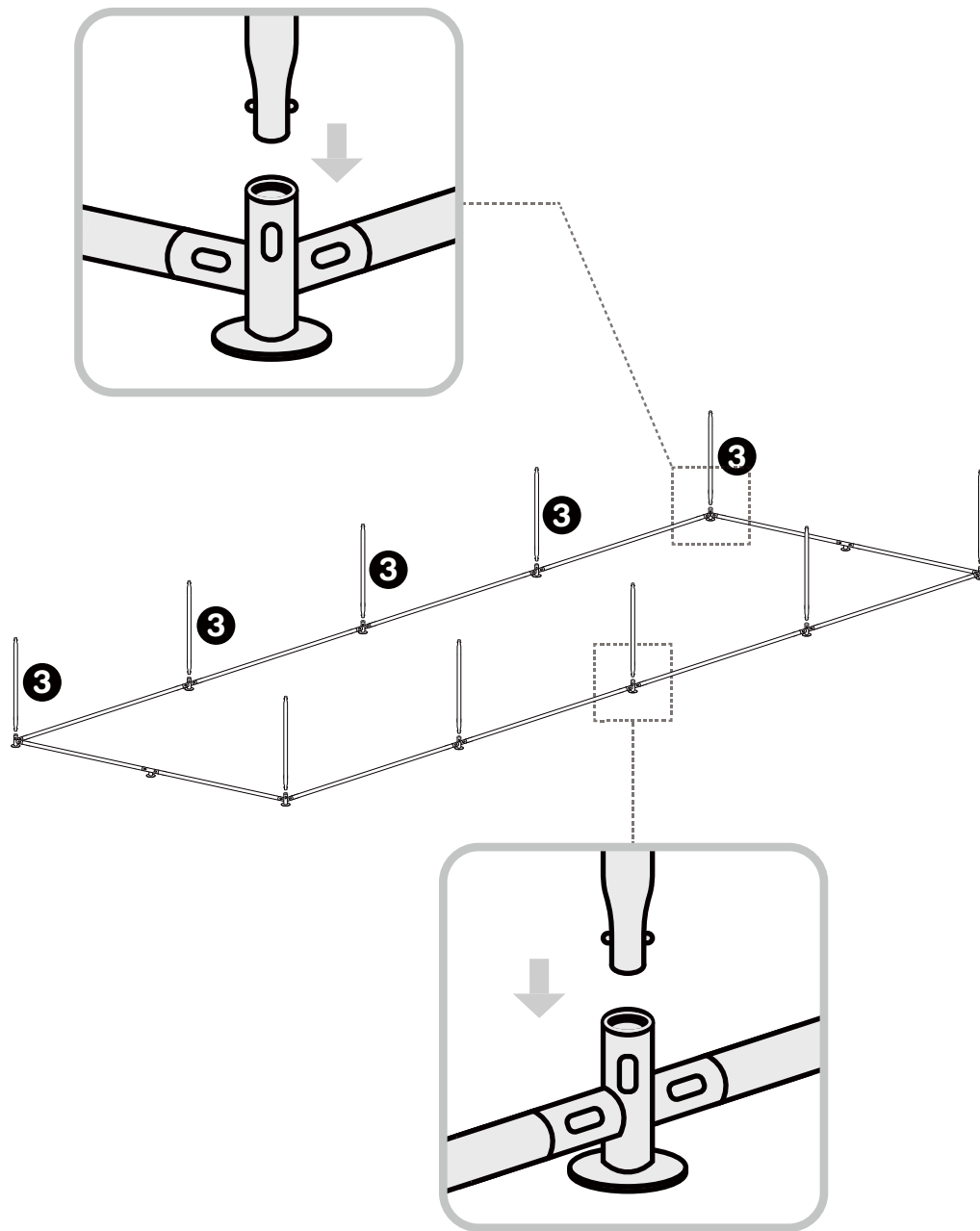
Part No.	Size(mm)	Picture	Qty			
			RA322	RA342	RA362	RA382
D2			1	1	1	1
D3			1	1	1	1
F			1x24m	1x36m	1x50m	1x60m
H			2	2	2	2
I			3	3	3	3
J	Roof Cover		1	1	1	2
K			3	3	3	3
L			4	4	4	4
M			1bag	2bags	3bags	4bags
N			6	8	10	12
O			14	14	14	28

3x8x2m

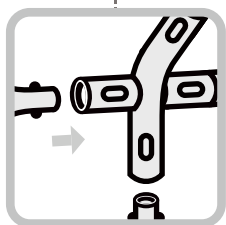
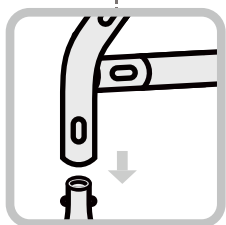
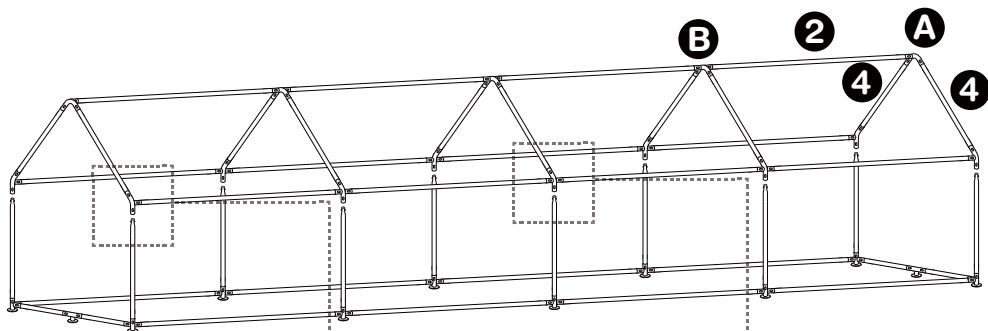
STEP 1



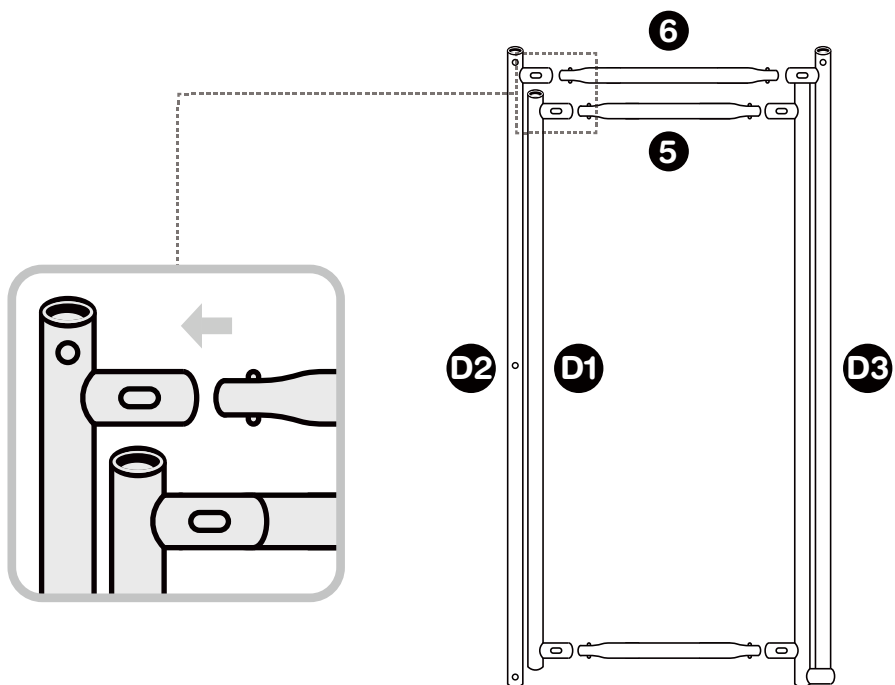
STEP 2



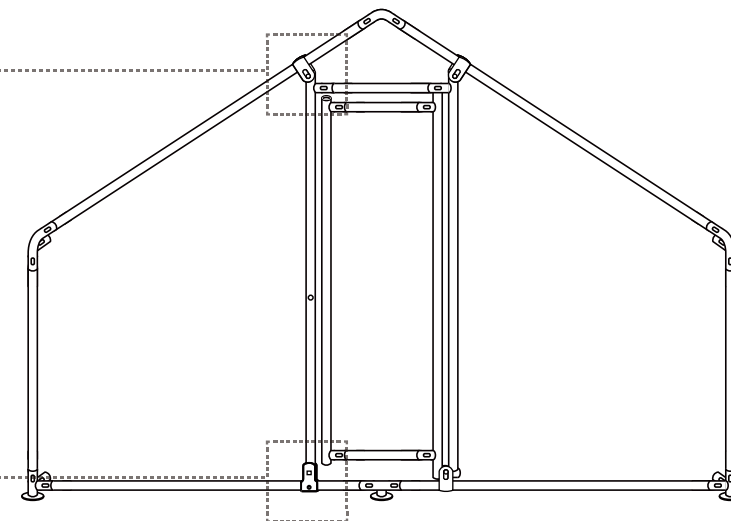
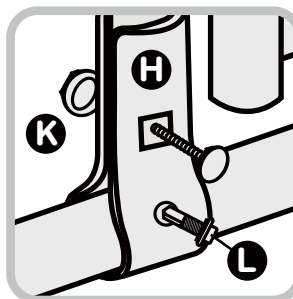
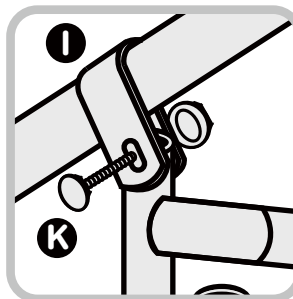
STEP 3



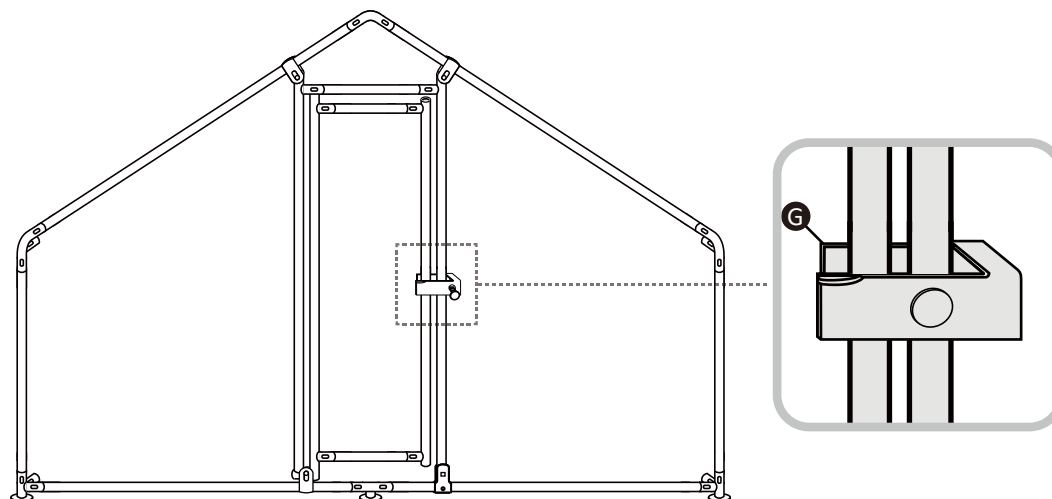
STEP 4



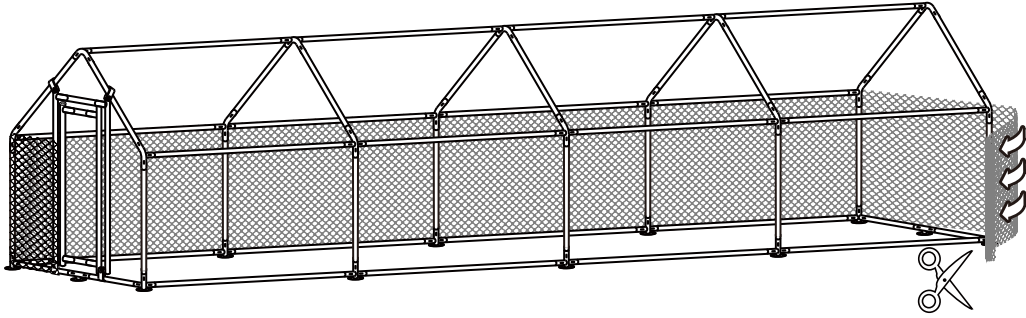
STEP 5



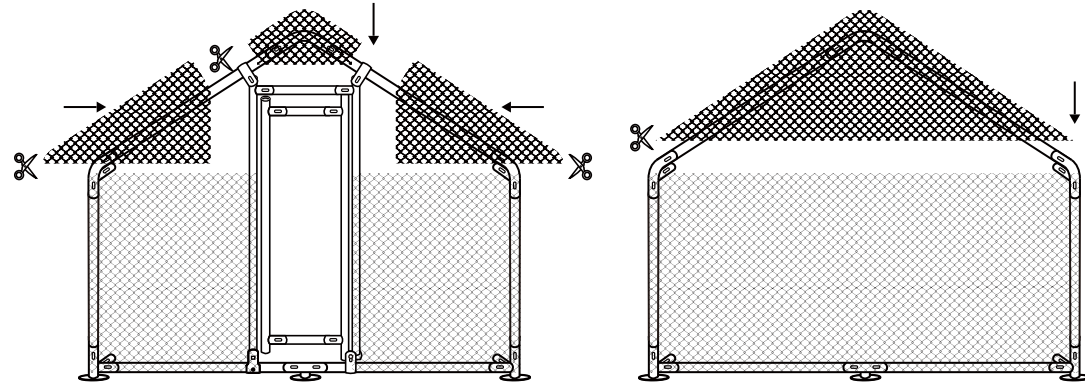
STEP 6



Step 1: NO PRE-CUT!
Cover around the house, then cut off finally



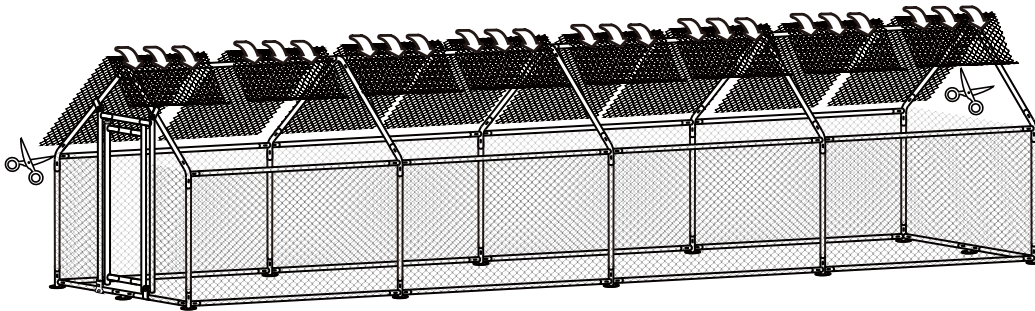
Step 3: Measure the Δ parts of front and back sides, Pre-cut the wire mesh for covering



(Front)

(Back)

Step 2: NO PRE-CUT!
Cover the top, finally cut off



Step 4: Measure the door size
Pre-cut the wire mesh for covering

